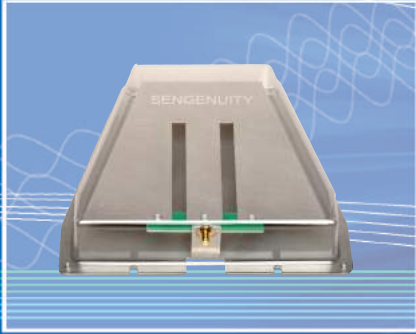


REAL TIME. ON-LINE. WIRELESS.



Features

- Center Frequency 433MHz
- Excellent Radiation Pattern
- Magnet Mount and Screw Mount
- Cover with high electrical strength
- Optimized Reading Distance with TempTrackr Sensor Modules

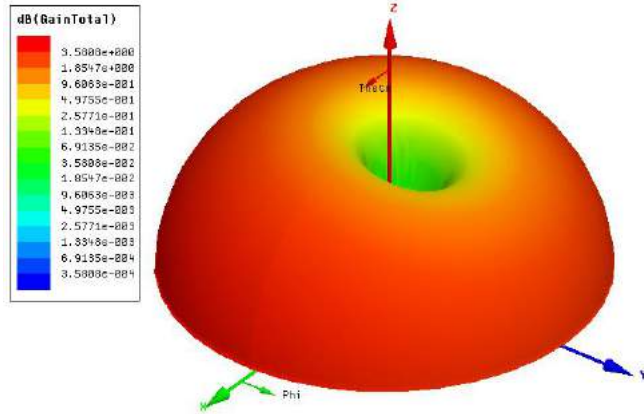
Application

- Use in Switchgear or Breaker Cabinet

Performance Specifications

Parameter	Data				Condition
	Min	Typical	Max	Units	
Center Frequency		433		MHz	
Bandwidth		5		%	
Gain			3,5	dBi	
VSWR		1,3			at center frequency
Impedance		50		Ohm	
Operating Temperature Range	-40		+85	°C	
Electrical strength of the cover			30	kV/mm	Cover thickness 2mm ± 0,5mm

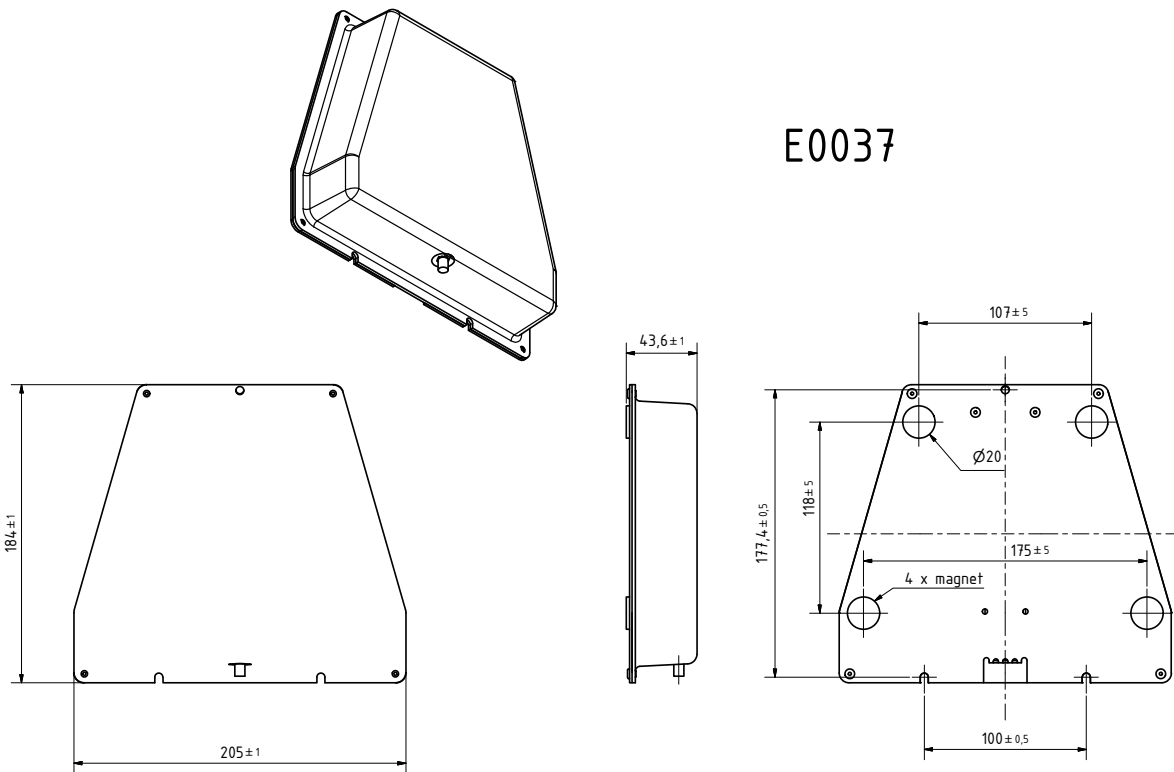
Antenna Radiation Pattern Gain Total

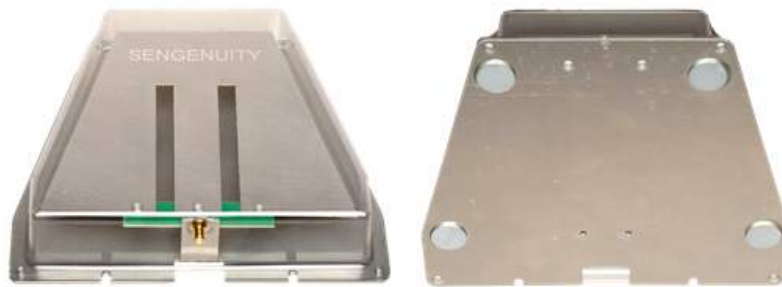


Reliability

Parameter	Description
Temperature cycling:	1000 times from -40° to +85
Life-time	Min. 10 years

Enclosure





Enclosure Info

Product Marking	SENGENUITY ANT-PIF-0005
Date Code (AYYWW)	A1603 ... for the third week of 2016

Installation

- magnet Mount for ease of installation (final position should be screw mounted)
- screw mount, use 3 x 5mm holes
- SMA female connector
- Recommended antenna cable: RG-316 or lower loss

Ordering Information

Item Number	Description
721200114	ANT-PIF-0005
721200124	ANT-PIF-0005 + Cable-RG316-2m-SMA

Notes: Subject to technical modification.

For Additional Information, Please Contact

USA:

Vectron International
100 Watts Street
Mount Holly Springs, PA 17065
Tel: 1.717.486.3411
Fax: 1.717.486.5920

Europe:

Vectron International
Landstrasse, D-74924
Neckarbischofsheim, Germany
Tel: 49(0)7268.8010
Fax: 49(0)7268.801281

Asia:

Vectron International
56 Serangoon North Avenue 4, #06-01
Singapore, 555851
Tel: 65.6555.1926
Fax: 65.6555.4377

Disclaimer

Vectron International reserves the right to make changes to the product(s) and or information contained herein without notice. No liability is assumed as a result of their use or application. No rights under any patent accompany the sale of any such product(s) or information.