

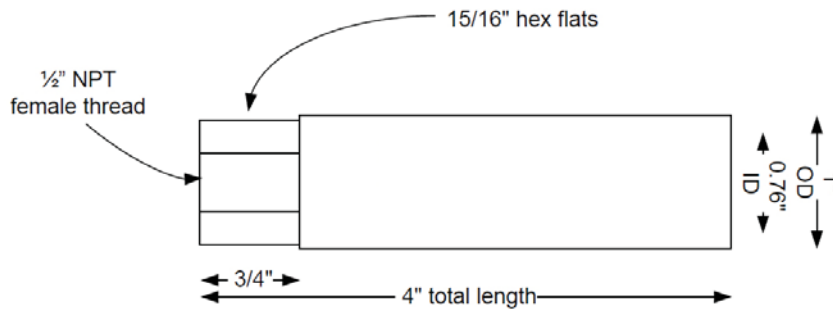
Helping Customers Innovate, Improve & Grow



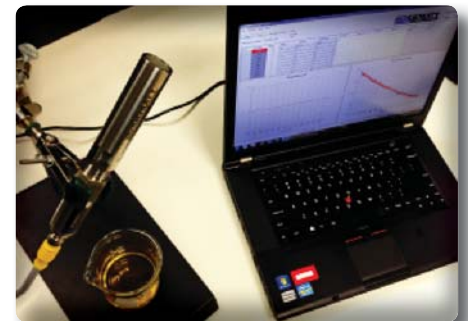
### Description

The SenGenuity Fluid Sensor Test Cell 25 mL is an accessory that supports the testing of fluids with the ViSmart® Viscosity Sensor. Made from marine-grade 316 type stainless steel it is highly resistance to corrosion, allows for easy clean up, and supports viscosity testing for a wide variety of fluids. The Fluid Sensor Test Cell's 1/2" NPT female fitting easily screws onto any ViSmart® viscosity sensor and allows up to 25 mL of fluid to be tested. Thread seal tape is recommended for sealing the Fluid Test Cell to the sensor and preventing the seizure of threads when unscrewed.

### Physical Dimensions



### Typical Application



### Ordering Information

| Part No.  | Description                  |
|-----------|------------------------------|
| 721200073 | Fluid Sensor Test Cell 25 mL |

**DISCLAIMER**

Vectron International reserves the right to make changes to the product(s) and or information contained herein without notice. No liability is assumed as a result of their use or application. No rights under any patent accompany the sale of any such product(s) or information.