



REAL TIME. ON-LINE. INLINE.



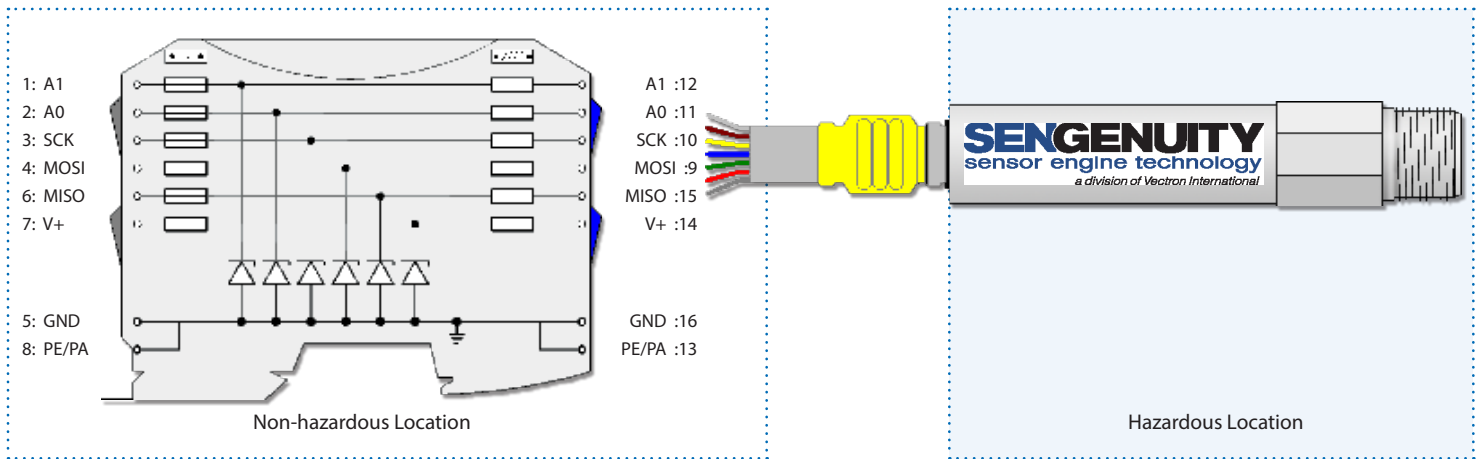
Description

The SenGenuity Shunt-Diode Barrier is an intrinsically safe zener diode safety barrier which limits excessive energy into a hazardous location. The barrier is designed to be used in conjunction with a SenGenuity VC-2xxx Series Converter and the SenGenuity VS-2511 Viscosity Sensor.

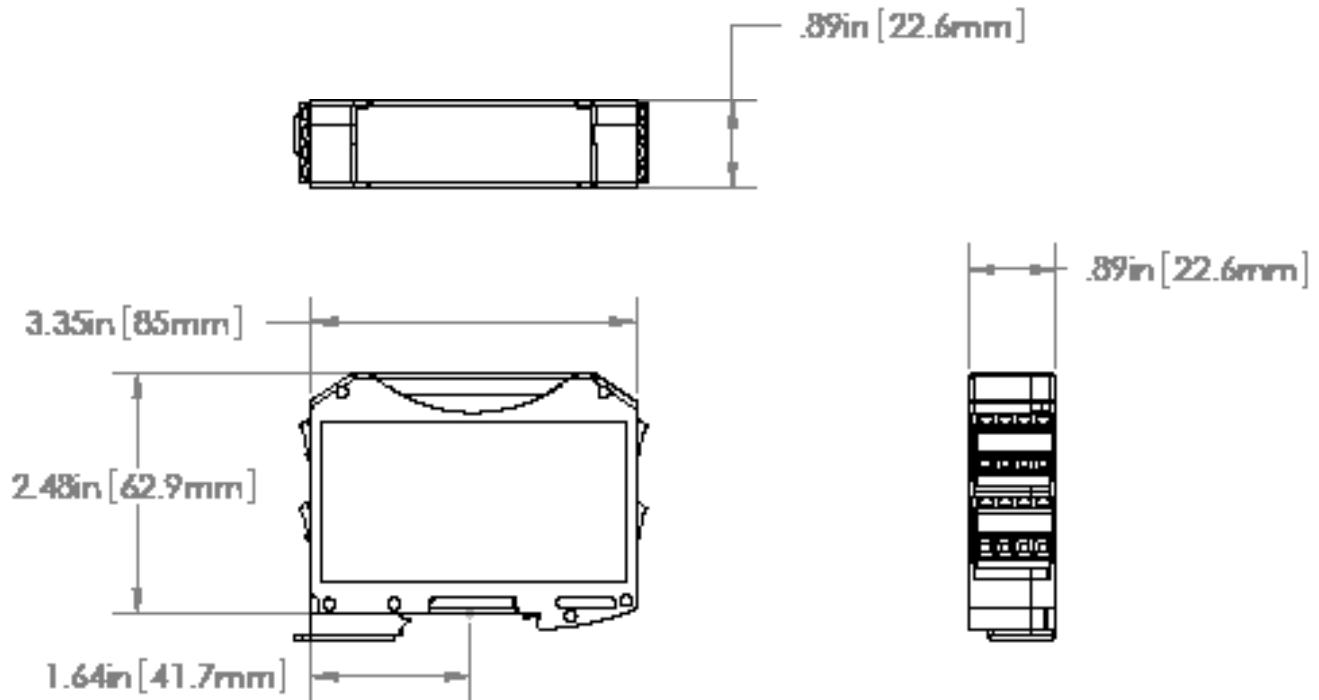
Performance Specifications

Parameter	Value				
Electrical Data					
Channel	Nom. Resistance	Series Resistance	Fuse Rating	Zener Voltage	Working Voltage
Power (V+)	69.3Ω	82Ω max	50 mA	8.2V	7.0V
Data (A0, A1, SCK, MISO, MOSI)	1028Ω	1051Ω	50 mA	8.2V	5.0V
Hazardous Area Connection	Terminals: 9[MOSI], 10[SCK], 11[A0], 12[A1], 13[PE], 14[V+], 15[MISO], 16[GND]				
Safe Area Connection	Terminals: 1[A1], 2[A0], 3[SCK], 4[MOSI], 5[GND], 6[MISO], 7[V+], 8[PE]				
Maximum Safe Voltage, Um	250V				
Intrinsic Safety Parameters	Vo	Io	Po	Co	Lo
	8.6V	200mA	361mW	2.9uF	5.4mH
Environmental					
Ambient Operating / Storage Temperature	0 to 60°C / -40 to 85°C				
Relative Humidity	95%, no condensation				
Mechanical					
Housing Dimensions	70.4mm (height) x 85mm (depth) x 22.5mm (width)				
Mounting	35 mm DIN rail				
Connector Type	PCB Terminal Blocks, 5mm				
Vibration	EN 60068-2-6 & EN 60068-2-64				
Shock	EN 60068-2-27				
Protection Degree	IP 20				
Conformity, Approvals, and Installations					
Examination Certificate Number / Control Number	TÜV 12 ATEX 091790 X		Intertek ETL 4009279		
Group, Category, Type of Protections	Ex II (2) G [Ex ib Gb] IIB		Associated Equipment [Ex i] Appareillage Connexi		
QAN Certificate Number	ITS12ATEXQ7518; ITS12ATEXQ7712		N/A		
Directive Conformity	Directive 94/9/EC: EN 60079-0, EN 60079-11		ANSI/UL Std 913; CAN/CSA C22.2 No. 157		
EMC Immunity/Emission	EN 55000, EN 61000-4-2, EN 61000-4-3, EN 61000-4-6				

Electrical Connections



Physical Dimensions



Ordering Information

Part No.	Model	Description
721200081	VB-2510	VB-2510 Intrinsically Safe Barrier DIN Rail Mount, ETL/ATEX Certified
	VB-20xx-XXX*	Intrinsically Safe Barrier with OEM code

*Please contact Vectron International for OEM applications

DISCLAIMER

Vectron International reserves the right to make changes to the product(s) and or information contained herein without notice. No liability is assumed as a result of their use or application. No rights under any patent accompany the sale of any such product(s) or information.